

505F Series

Fiber Entrance Terminal/Slack Storage Unit

CPE/Premise Wiring

DOT

FTTx

MDU

PON



The 505 Family of enclosures are one of Tii's most versatile, compact products; ranging from Interface/Slack Storage Devices to Patch & Splice units. They support multiple grommet types including standard, rigid conduit, and cable glands.

The base configuration supports up to 4 fibers, in patch, patch and splice, mid-span access or PON splitter applications.

KEY PRODUCT BENEFITS

- ▶ Indoor/outdoor for wall and pole mounting
- ▶ Provides demarcation point between outdoor fiber drop and customer premise fiber
- ▶ Constructed of superior materials capable of withstanding harsh outdoor environments
- ▶ Up to 4 fiber ports for OSP to customer fiber transitions
- ▶ Convenient flip down, splice tray accommodates 4 splices and fiber slack
- ▶ May be installed with optional FP01 Fiber Plate
- ▶ Gasketed, hinged cover fits securely on the base to provide maximum protection against environmental conditions and intrusion of foreign matter, protecting sensitive fiber connectivity
- ▶ Cover closes securely with 3/8" hex head bolt and has a provision for a tie-wrap
- ▶ Allows for mid-span access of cable
- ▶ Rear Grommet Feature
- ▶ Rear mounting bosses allow for mounting of various accessories
- ▶ Accommodates PLC9 Optical Splitter
- ▶ 505FT version includes external ground

INDUSTRY STANDARDS

- ▶ Meets GR-2898, GR-771 and NEMA 4 requirements
- ▶ Meets GR-1361-CORE Severe Environmental Conditions (-40°C–80°C)



Tii Technologies Inc.

Corporate Headquarters:

141 Rodeo Drive

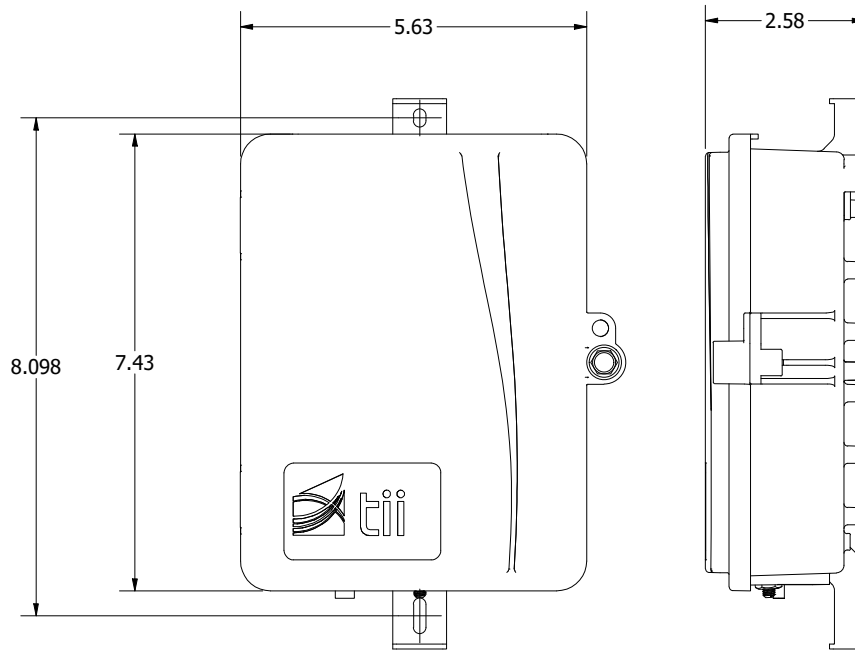
Edgewood, NY 11717

Phone: 631.789.5000

Toll Free: 888.844.4720

sales@tiitech.com

505F Series



Dimensions are in Inches

ORDERING INFORMATION

Model No. Description

505F	Fiber Enclosure, Empty
-------------	------------------------



505F



505F-01-01-01-E

CUSTOM MODEL NUMBER MATRIX - FIBER ENTRANCE TERMINAL/SLACK STORAGE UNIT

505F	—XX	—XX	—XX	—X	X
	Adapter Mounting Options	Adapter Type	# of Ports	Configuration Options	Grommets (Optional)
	01 = Fiber Plate (1, 2, or 4 adapters only) 02 = Fiber Plate (6 Adapters) 04 = Fiber Plate (12 Adapters)	01 = SC/APC 02 = SC/UPC 03 = LC/APC 04 = LC/UPC	01 = 1 02 = 2 04 = 4 06 = 6 12 = 12 24 = 24 (LC only)	N = None E = External Ground	None = 2 Standard Grommets C = 2 Conduit Grommets G = 1 Standard Grommet, 1 Conduit Grommet (1/2") P = 1 Conduit Grommet (1/2"), 1 Compression Grommet

505F Series



505FT-04RSAN1



505FT-01RSAN

CUSTOM MODEL NUMBER MATRIX - FIBER ENTRANCE TERMINAL

505FT —	XX	X	XX	X	X	X
	Fiber Ports	Fiber Type	Adapters	Pigtails	Splitter Type	Grommets (Optional)
	01-04	R = Singlemode K = MM62.5 OM1 S = MM50 OM3	LC = LC-UPC LA = LC-APC SC = SC-UPC SA = SC-APC	N = Patch Only 5 = 250um Pigtails 9 = 900um Pigtails	0 = None 1 = 1x4	None = 2 Standard Grommets C = 2 Conduit Grommets G = 1 Conduit Grommet (1/2"), 1 Standard Grommet H = 1 Conduit Grommet (3/4"), 1 Standard Grommet P = 1 Conduit Grommet (1/2"), 1 Compression Grommet Q = 2 Compression Grommets R = 1 Conduit Grommet (3/4"), 1 Compression Grommet

ACCESSORIES



FET2G-CON-GRM-KIT1/2

FET2G-CON-GRM-KIT3/4

FET2G-CMP-GRM-KIT1/2

FET2G-CMP-GRM-KIT3/4