

## 506F Series

### Fiber Interface Device/Slack Storage Unit

CPE/Premise Wiring

FTTH

PON



Tii's 506F Fiber Interface Device/Slack Storage Unit is a compact unit which provides demarcation between the OSP fiber drop and customer fiber drop, as well as slack storage for up to 50ft. of customer drop fiber. The 506F is configurable for up to twenty-four fiber adapters (*LC only*).

#### KEY PRODUCT BENEFITS

- ▶ Slack storage for up to 50 feet of fiber
- ▶ Multiple slack storage and adapter plate configurations available:
  - 4 port patch with 2 fusion splice capacity
  - 6 port patch only
  - 12 port patch only
  - 24 port patch only (LC)
- ▶ 1/2" Grommet Kits compatible with RTK Series Riser Tube Kit
- ▶ Optional cable entry clamp and internal/external ground stud
- ▶ Corner slack retention for "springy" OSP drop cable or buffer tubes
- ▶ Multiple slack management tie down points
- ▶ Grommets on back provide rear fiber entry or exit
- ▶ Cover closes securely with 3/8" hex head bolt and has a provision for a security seal

#### INDUSTRY STANDARDS

- ▶ Designed to GR-771
- ▶ Meets GR-1361-CORE Severe Environmental Conditions (-40°C–80°C)

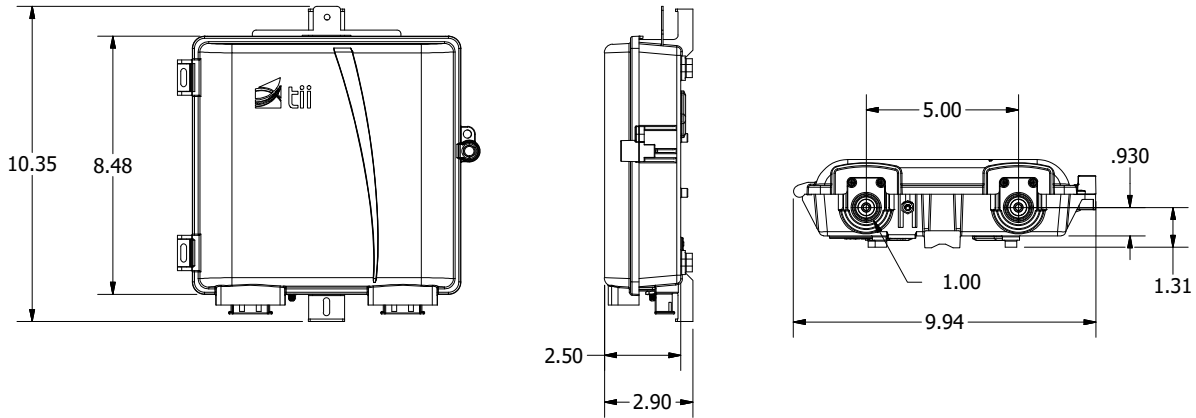


**Tii Technologies Inc.**

**Corporate Headquarters:**

141 Rodeo Drive  
Edgewood, NY 11717  
Phone: 631.789.5000  
Toll Free: 888.844.4720  
sales@tiitech.com

# 506F Series



Dimensions are in Inches

## ORDERING INFORMATION

| Model No.              | Description                           | Standard Pkg.                     |
|------------------------|---------------------------------------|-----------------------------------|
| <b>506F</b>            | Fiber Interface Device, Empty         | 5 ea. 11" x 11" x 16" - 5.7 lbs.  |
| <b>506F-01-01-01-N</b> | Fiber Interface Device 1 Port SC-APC  | 5 ea. 11" x 11" x 16" - 6.06 lbs. |
| <b>506F-01-01-02-N</b> | Fiber Interface Device 2 Port SC-APC  | 5 ea. 11" x 11" x 16" - 6.7 lbs.  |
| <b>506F-02-01-06-N</b> | Fiber Interface Device 6 Port SC-APC  | 5 ea. 11" x 11" x 16" - 12 lbs.   |
| <b>506F-04-01-12-N</b> | Fiber Interface Device 12 Port SC-APC | 5 ea. 11" x 11" x 16" - 15 lbs.   |

## CUSTOM MODEL NUMBER MATRIX

| 506F | -XX                                                                                                            | -XX                                                      | -XX                                                                  | -X                                                                                                              | X                                                                                                                                                               |
|------|----------------------------------------------------------------------------------------------------------------|----------------------------------------------------------|----------------------------------------------------------------------|-----------------------------------------------------------------------------------------------------------------|-----------------------------------------------------------------------------------------------------------------------------------------------------------------|
|      | Adapter Mounting Options                                                                                       | Adapter Type                                             | # of Ports                                                           | Configuration Options                                                                                           | Grommets (Optional)                                                                                                                                             |
|      | 01 = Fiber Plate (1, 2, or 4 adapters only)<br>02 = Fiber Plate (6 Adapters)<br>04 = Fiber Plate (12 Adapters) | 01 = SC/APC<br>02 = SC/UPC<br>03 = LC/APC<br>04 = LC/UPC | 01 = 1<br>02 = 2<br>04 = 4<br>06 = 6<br>12 = 12<br>24 = 24 (LC only) | N = None<br>C = Cable Entry Clamp<br>E = External Ground<br>D = External Ground and Cable Entry Clamp Installed | None = 2 Standard Grommets<br>C = 2 Conduit Grommets<br>G = 1 Standard Grommet, 1 Conduit Grommet (1/2")<br>P = 1 Conduit Grommet (1/2"), 1 Compression Grommet |

## ACCESSORIES

| Model No.                  | Description                                                                  | Standard Pkg.                 |
|----------------------------|------------------------------------------------------------------------------|-------------------------------|
| <b>FP01-01-01</b>          | Fiber Adapter Plate Slack Ring with SC-APC Adapter                           | 50 ea. 8" x 9" x 23" - 5 lbs. |
| <b>506F-GRM-KIT</b>        | Grommets for 506F Standard Grommet (2 ea.)                                   |                               |
| <b>506F-CMP-GRM-KIT</b>    | Grommets for 506F 1/2" Compression Entry (2 ea.)                             |                               |
| <b>506F-CON-GRM-KIT1/2</b> | Grommets for 506F 1/2" Conduit Entry (2 ea.)                                 |                               |
| <b>506F-CON-GRM-KIT3/4</b> | Grommets for 506F 3/4" Conduit Entry (2 ea.)                                 |                               |
| <b>506F-OC</b>             | Hardened Fiber Connector Mounting Collar with Rubber Boot                    |                               |
| <b>BKT-506F-OT</b>         | Mounting Bracket, Hardened Fiber Connector Compatible Adapter (not included) |                               |

## ADAPTER MOUNTING OPTIONS

